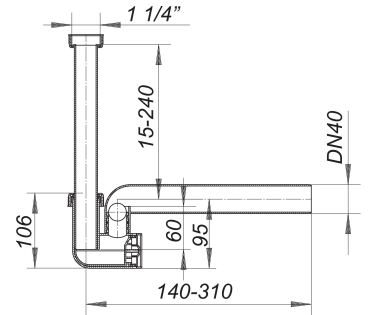
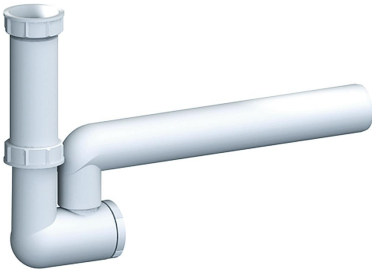


condensate trap type 136.3, 1 1/4" x DN 40

Part number: 026224
GTIN: 4001636026224
Rebate group: 1



Description:

condensate trap type 136.3, 1 1/4" x DN 40
for the installation of air-conditioners, heating equipment, etc.
The built-in ball valve seals the trap in case of water deficiency; swivel joints for flexible mounting!

specification:
- cleaning eye/tray

material:
polypropylene
with inlet tube with back nut 1 1/4" vertical