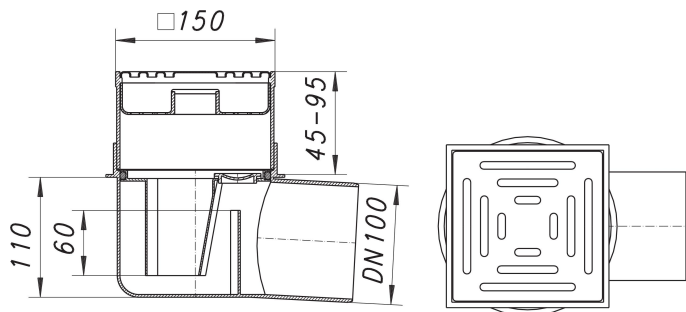


## utility drain type 57 AKE, DN 100

Part number: 578969  
 GTIN: 4001636578969  
 Rebate group: 3



### Description:

utility drain type 57 AKE, DN 100  
 conforming to DIN EN 1253  
 outlet horizontal (3 degrees fall)

#### specification

- trap insert, 60 mm water seal (conforming to DIN EN 1253)
- height adjustable grating
- hair sieve

#### material

body polypropylene  
 frame polypropylene, 150 x 150 mm  
 grate stainless steel, load class K 3 (300 kg)  
 DN 70 connects to BS4514 75 mm pipework with 880345 adaptor.

### Flow rates tested to DIN EN 1253:

Nominal diameter	Product standard	Min. flow rate according to norm	Water level according to norm
DN 100	DIN EN 1253	1.40 l/s	20.00 mm

### Spare parts:

590015 screwed plug for 54, 55, 57, 57 AK, 58,

591050 dirt and hair trap sieve S 15, d: 144 m