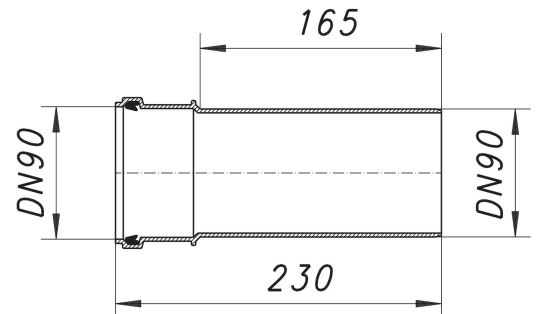


straight WC connector, DN 90

Part number: 350015
GTIN: 4001636350015
Rebate group: 2



Description:

straight WC connector, DN 90
extension for WC connectors in DN 90

specification:
- recessed lip seal
- 230 mm long

material:
white polypropylene