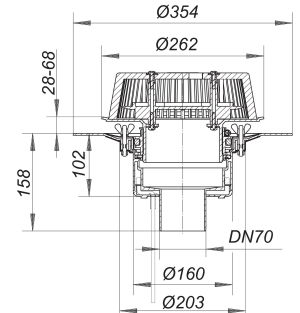


overflow drain SuperDrain type 62 H clamp ring, heated, DN 70

Part number: 671615
 GTIN: 4001636671615
 Rebate group: 10



Description:

overflow drain SuperDrain type 62 H clamp ring, heated, DN 70
 conforming to DIN EN 1253
 for use with a calculated siphonic roof drainage system, with stainless steel clamp ring to secure all single-ply membranes

specification:

- SuperDrain-insert
- insulated drain body
- outlet vertical
- overflow upstand height adjustable 28 - 68 mm
- domed grate, secured

material:

polypropylene, UV-stabilized

H = roof drain heated version

Connect to 230 V supply, conforming to VDE 0721, Part 1/3.78

Power per drain: 15 watts

Current per drain: 0.06 amps

Suggested current per roof area: 16 amps

Flow rates tested to DIN EN 1253:

Nominal diameter	Min. flow rate according to norm	Water level according to norm	Flow rate at water level 5 mm	Flow rate at water level 15 mm	Flow rate at water level 25 mm	Flow rate at water level 35 mm	Flow rate at water level 45 mm	Flow rate at water level 55 mm	Flow rate at water level 65 mm
DN 70	12.00 l/s	55.00 mm	0.70 l/s	3.40 l/s	6.70 l/s	11.20 l/s	17.30 l/s	17.40 l/s	17.40 l/s

Spare parts: