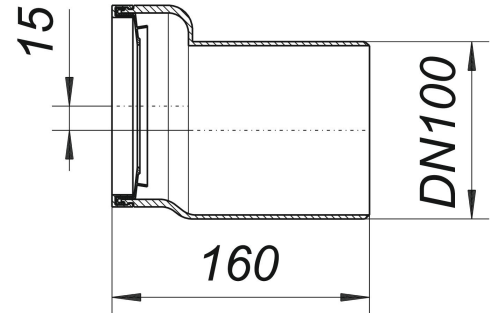


## offset WC connector type 781 white, DN 100

Part number: 250520  
GTIN: 4001636250520  
Rebate group: 2



### Description:

offset WC connector type 781 white, DN 100  
160 mm long, 15 mm offset

specification:  
- recessed lip seal

material:  
white polypropylene

### Spare parts:

352026 seal for Atlas WC elbow 87, DN 100