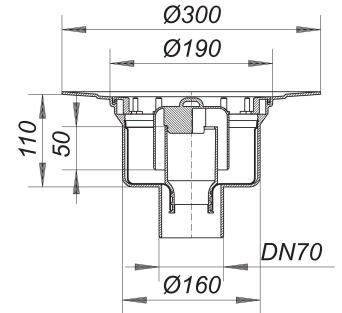


floor drain body type 61 HT, PP-NIRO, DN 70

Part number: 611840
 GTIN: 4001636611840
 Rebate group: 3



Description:

floor drain body type 61 HT, PP-NIRO, DN 70
 conforming to DIN EN 1253
 outlet vertical spigot, for connection to plastic pipework

specification

- stainless steel liner
- removable trap insert, 50 mm water seal (conforming to DIN EN 1253)
- temporary blanking plate

material

polypropylene,
 304 stainless steel

DN 70 connects to BS4514 75 mm pipework with 880345 adaptor.

Drainage with increased hygienic requirements, eg. commercial kitchens, hospitals, food processing, etc.

R 30/60/90/120 options see page XXX.

Flow rates tested to DIN EN 1253:

Nominal diameter	Product standard	Min. flow rate according to norm	Water level according to norm
DN 70	DIN EN 1253	0.80 l/s	20.00 mm

Spare parts:

590077 bell trap for drain body 61

590091 centralising ring for drain bodies type