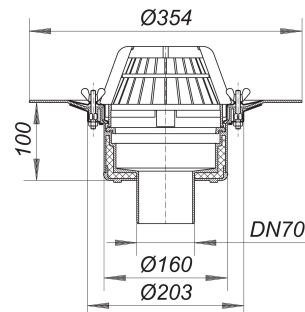


roof drain type 62 clamp ring, DN 70

Part number: 621047
 GTIN: 4001636621047
 Rebate group: 10



Description:

roof drain type 62 clamp ring, DN 70
 conforming to DIN EN 1253
 with stainless steel clamp ring to secure all single-ply membranes

specification:

- insulated drain body
- outlet vertical
- domed grate

material:

polypropylene, UV-stabilized

R 30 - 120 option available.

Flow rates tested to DIN EN 1253:

| Nominal diameter | Outlet direction | Min. flow rate according to norm | Water level according to norm | Flow rate at water level 5 mm | Flow rate at water level 15 mm | Flow rate at water level 25 mm | Flow rate at water level 35 mm | Flow rate at water level 45 mm | Flow rate at water level 55 mm | Flow rate at water level 65 mm |
|------------------|------------------|----------------------------------|-------------------------------|-------------------------------|--------------------------------|--------------------------------|--------------------------------|--------------------------------|--------------------------------|--------------------------------|
| DN 70 | 1.70 l/s | 35.00 mm | 0.90 l/s | 3.20 l/s | 5.40 l/s | 5.40 l/s | 5.50 l/s | 5.60 l/s | 5.70 l/s | |
| DN 70 | 1.70 l/s | 35.00 mm | 0.80 l/s | 3.60 l/s | 5.90 l/s | 8.70 l/s | 12.10 l/s | 14.80 l/s | 15.00 l/s | |
| DN 70 | 1.70 l/s | 35.00 mm | 0.90 l/s | 3.50 l/s | 6.80 l/s | 9.90 l/s | 13.20 l/s | 15.00 l/s | 15.10 l/s | 15.20 l/s |