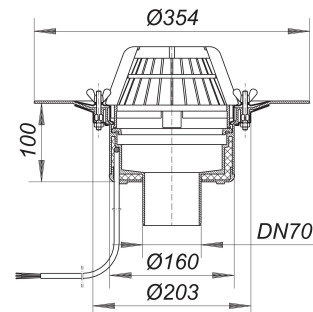


roof drain type 62 H clamp ring, heated, DN 70

Part number: 621146
 GTIN: 4001636621146
 Rebate group: 10



Description:

roof drain type 62 H clamp ring, heated, DN 70
 conforming to DIN EN 1253
 with stainless steel clamp ring to secure all single-ply membranes

specification:

- insulated drain body
- outlet vertical
- domed grate

material:

polypropylene, UV-stabilized

H = roof drain heated version

Connect to 230 V supply, conforming to VDE 0721, Part 1/3.78

Power per drain: 15 watts

Current per drain: 0.06 amps

Suggested current per roof area: 16 amps R 30 - 120 option available.

Flow rates tested to DIN EN 1253:

Nominal diameter	Outlet di- rection	Min. flow rate accor- ding to norm	Water le- vel accor- ding to norm	Flow rate at water level 5 mm	Flow rate at water level 15 mm	Flow rate at water level 25 mm	Flow rate at water level 35 mm	Flow rate at water level 45 mm	Flow rate at water level 55 mm	Flow rate at water level 65 mm
DN 70	1.70 l/s	35.00 mm	0.90 l/s	3.20 l/s	5.40 l/s	5.40 l/s	5.50 l/s	5.60 l/s	5.70 l/s	
DN 70	1.70 l/s	35.00 mm	0.80 l/s	3.60 l/s	5.90 l/s	8.70 l/s	12.10 l/s	14.80 l/s	15.00 l/s	
DN 70	1.70 l/s	35.00 mm	0.90 l/s	3.50 l/s	6.80 l/s	9.90 l/s	13.20 l/s	15.00 l/s	15.10 l/s	15.20 l/s