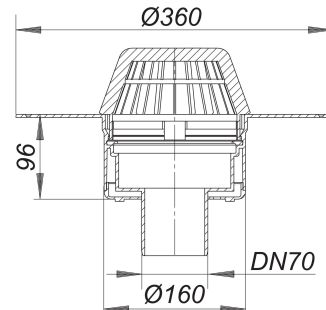


roof drain type 62 PVC, DN 70

Part number: 623041
 GTIN: 4001636623041
 Rebate group: 10



Description:

roof drain type 62 PVC, DN 70
 conforming to DIN EN 1253
 one-piece drain, moulded in PVC, PVC membranes can be welded to the flange

specification:

- insulated drain body
- outlet vertical
- domed grate

material:

PVC

R 30 - 120 option available.

Flow rates tested to DIN EN 1253:

Nominal diameter	Outlet di- rection	Min. flow rate accor- ding to norm	Water le- vel accor- ding to norm	Flow rate at water level 5 mm	Flow rate at water level 15 mm	Flow rate at water level 25 mm	Flow rate at water level 35 mm	Flow rate at water level 45 mm	Flow rate at water level 55 mm	Flow rate at water level 65 mm
DN 70	1.70 l/s	35.00 mm	0.90 l/s	3.20 l/s	5.40 l/s	5.40 l/s	5.50 l/s	5.60 l/s	5.70 l/s	
DN 70	1.70 l/s	35.00 mm	0.80 l/s	3.60 l/s	5.90 l/s	8.70 l/s	12.10 l/s	14.80 l/s	15.00 l/s	
DN 70	1.70 l/s	35.00 mm	0.90 l/s	3.50 l/s	6.80 l/s	9.90 l/s	13.20 l/s	15.00 l/s	15.10 l/s	15.20 l/s